



REPLACEMENT SHEET

- 1/7 -

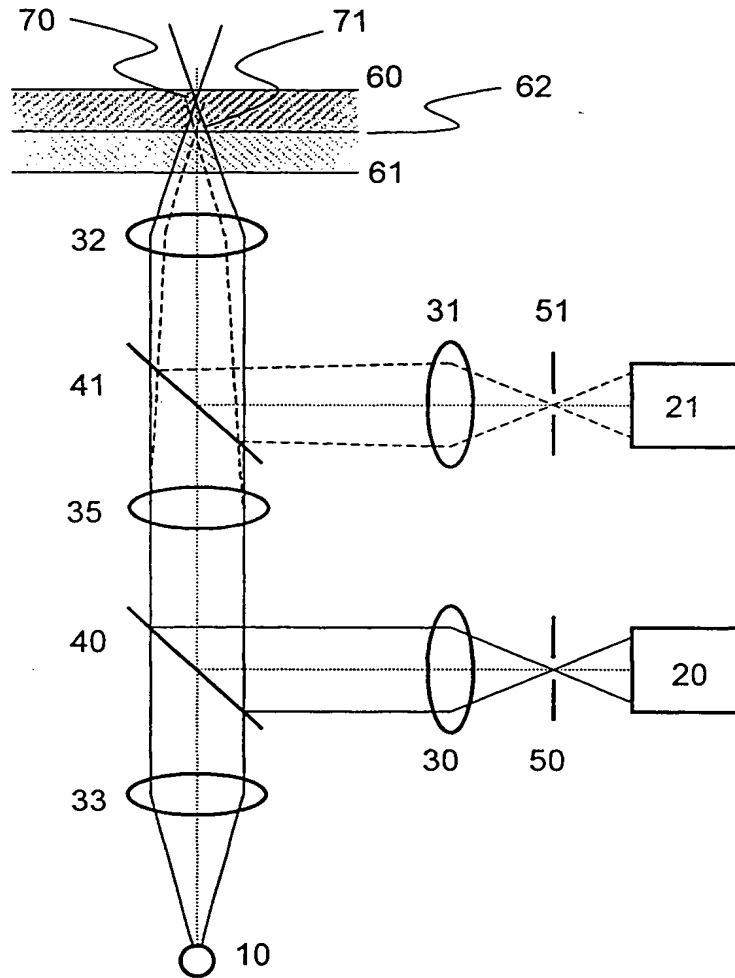


Figure 1



REPLACEMENT SHEET

- 2/7 -

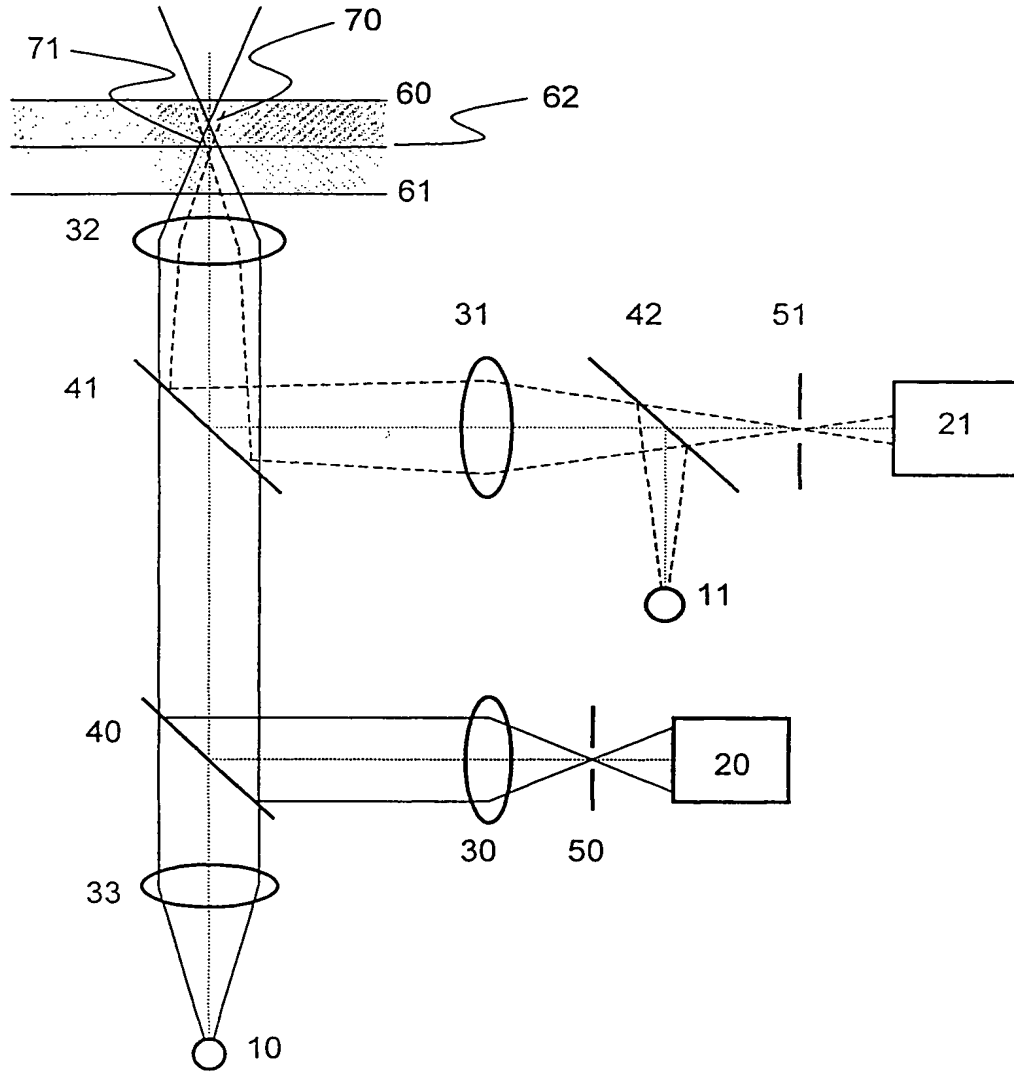


Figure 2



REPLACEMENT SHEET

- 3/7 -

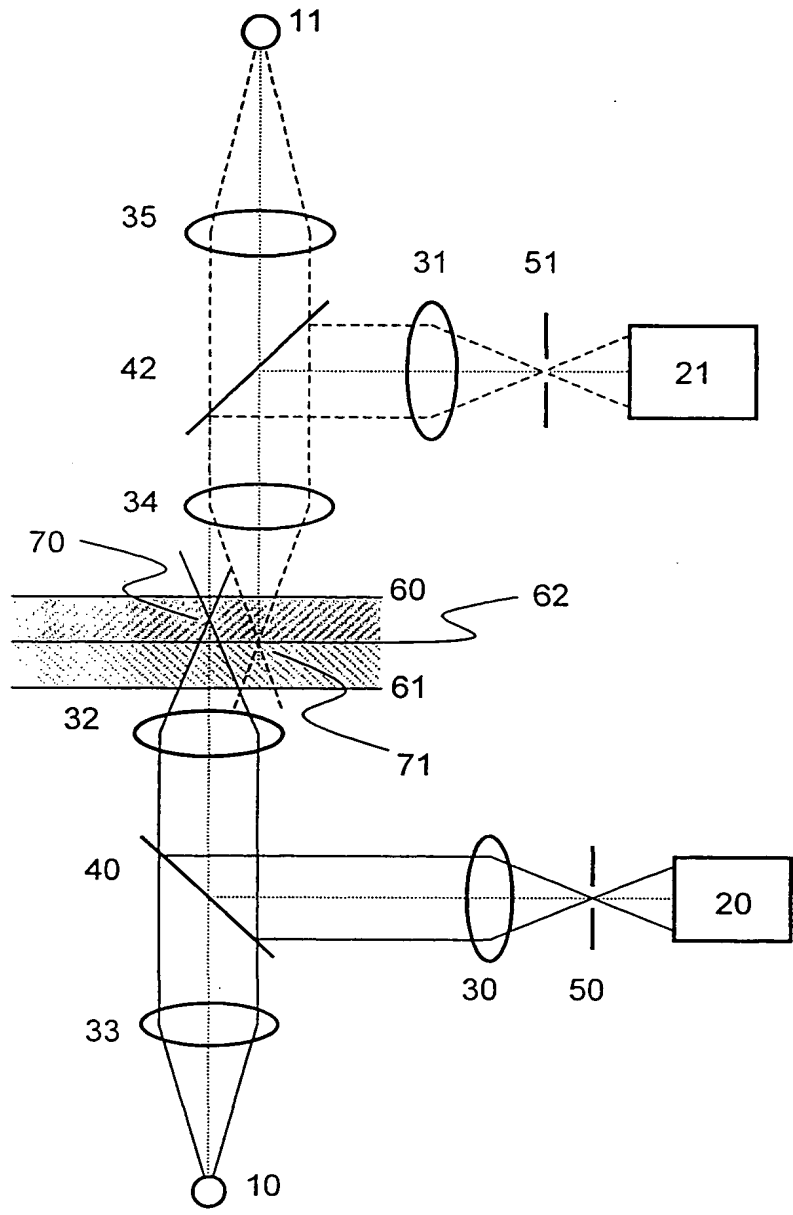


Figure 3



REPLACEMENT SHEET

- 4/7 -

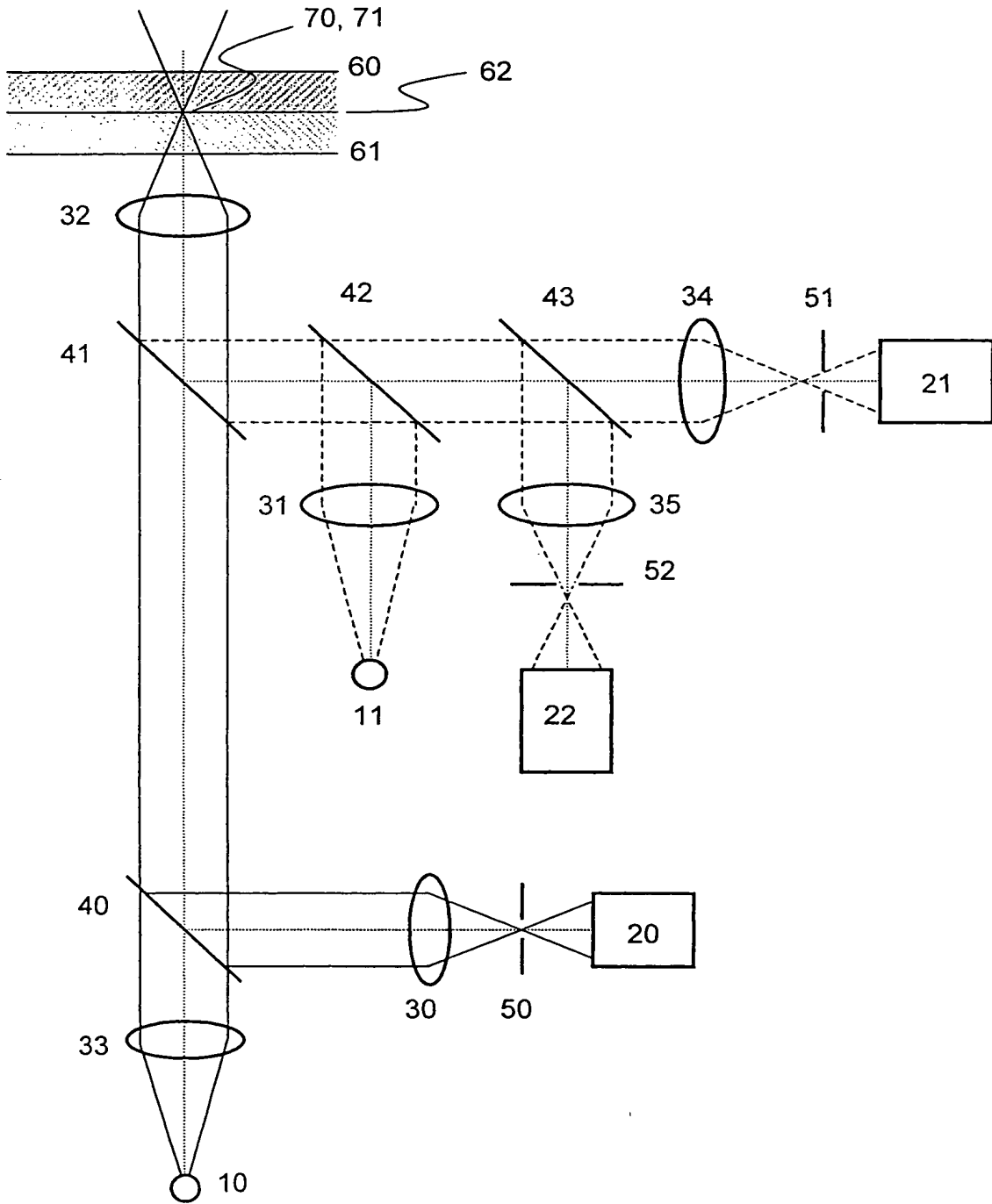


Figure 4



REPLACEMENT SHEET

- 5/7 -

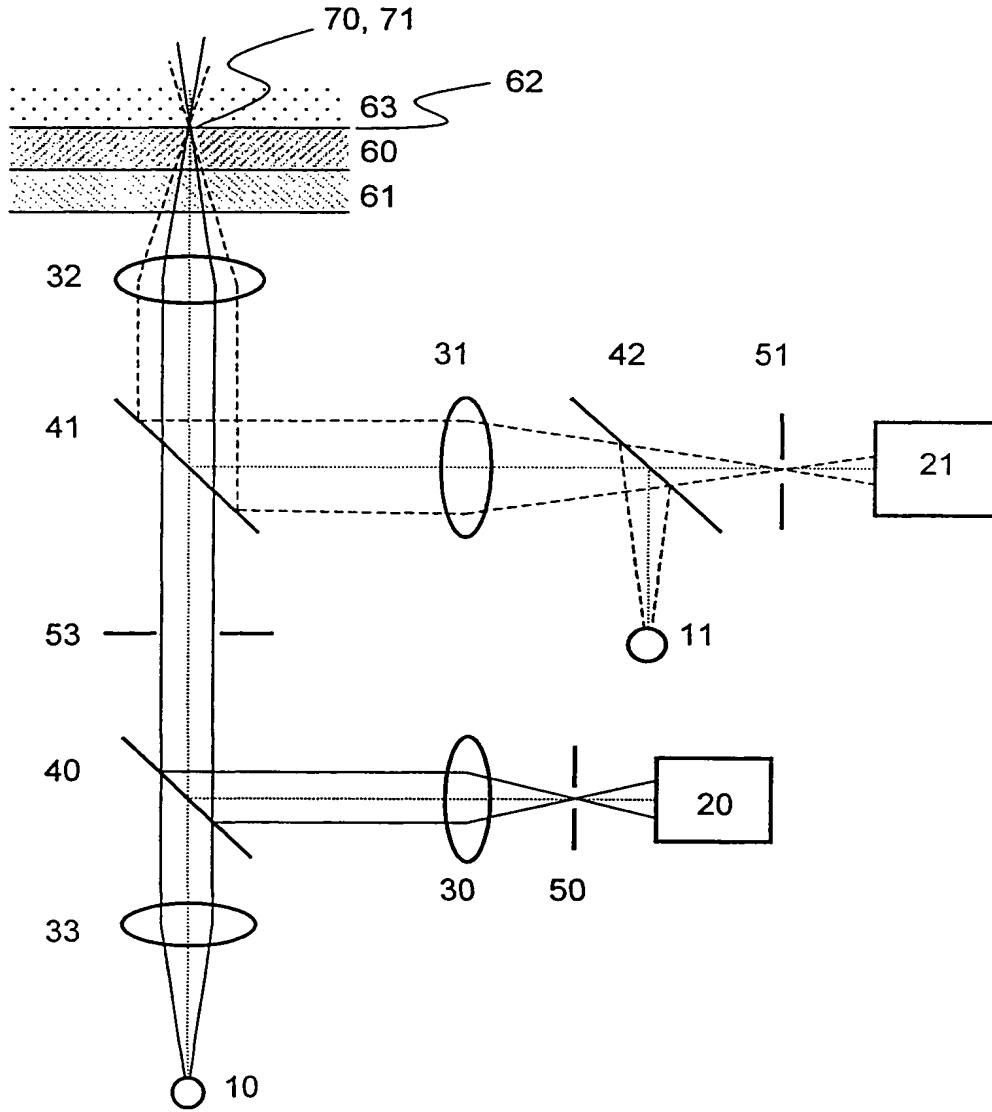


Figure 5



REPLACEMENT SHEET

- 6/7 -

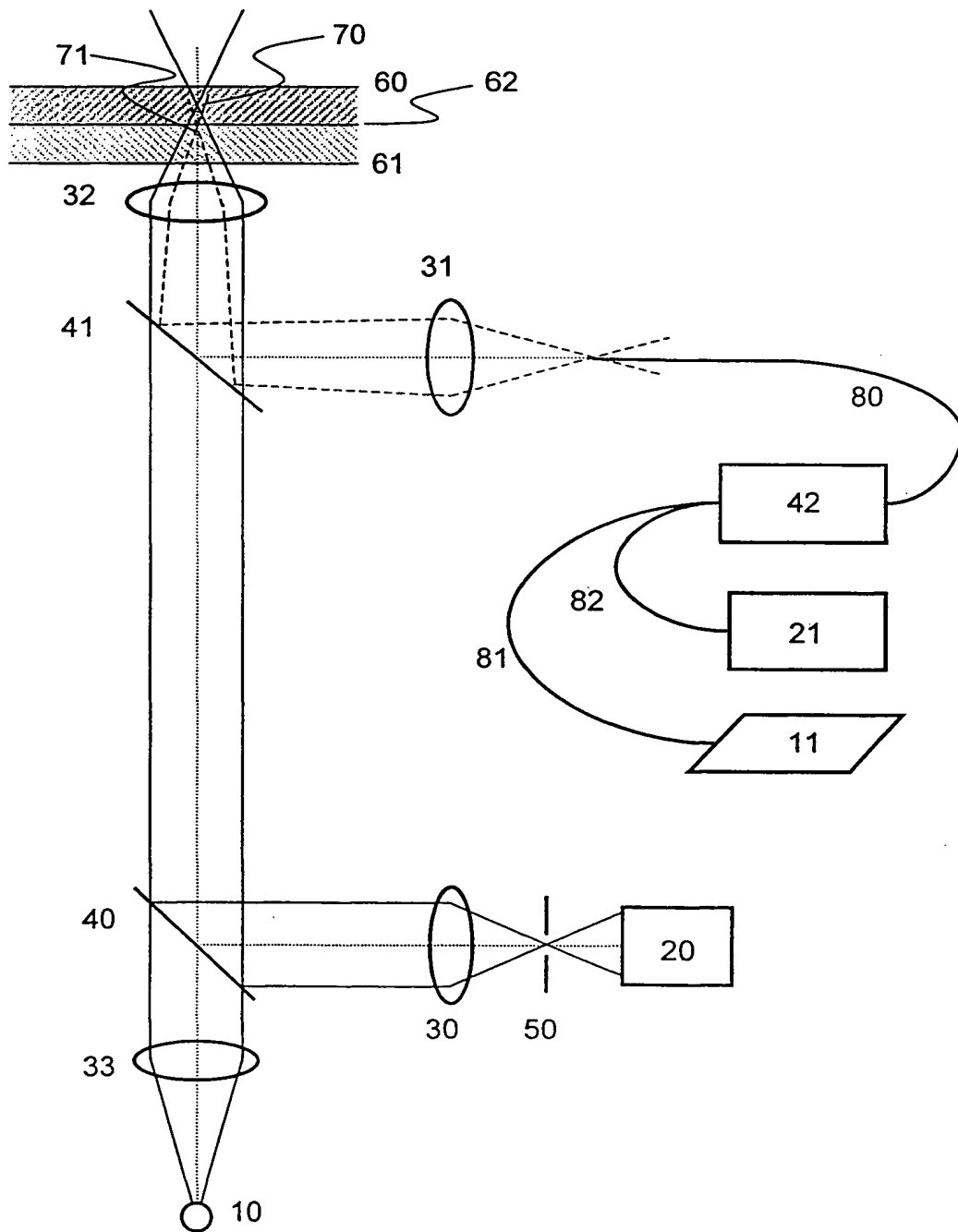


Figure 6



REPLACEMENT SHEET

- 7/7 -

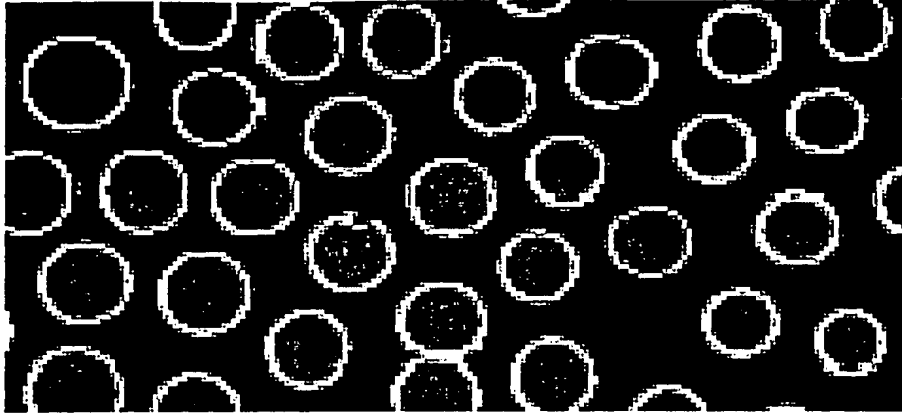


Figure 7a



Figure 7b